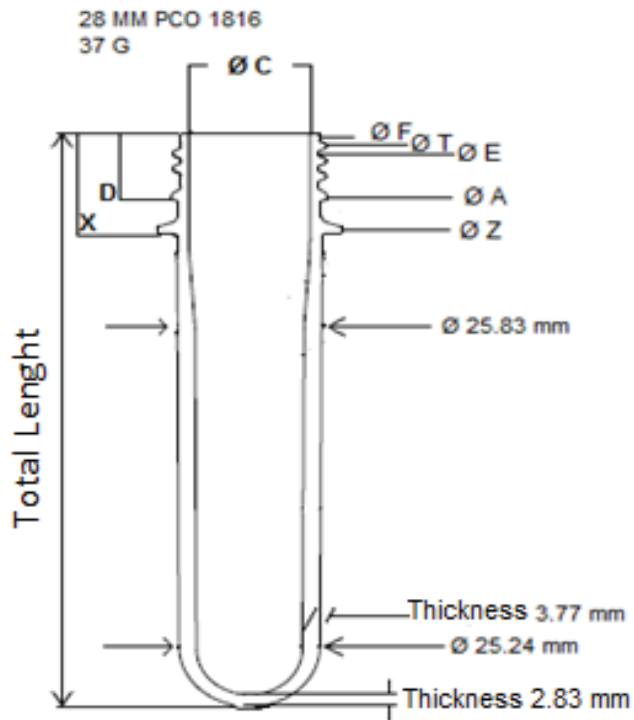




101815

28mm PCO (1816) Clear PET Preform (37 gram)
K.G. International - sales@kgint.com - +1 305 499-9816



| QUALITY SPECIFICATION | | | | |
|-----------------------|----------------------|---------|--------|---------|
| Quality variables | Measure units | Minimum | Target | Maximum |
| Diameter T | mm | 27.30 | 27.43 | 27.56 |
| Diameter E | mm | 24.36 | 24.51 | 24.66 |
| Diameter F | mm | 24.81 | 24.94 | 25.07 |
| Diameter A | mm | 27.84 | 27.97 | 28.10 |
| Diameter Z | mm | 32.62 | 33.00 | 33.38 |
| Diameter C | mm | 21.61 | 21.74 | 21.87 |
| Height D | mm | 13.90 | 14.10 | 14.30 |
| Height X | mm | 20.95 | 21.20 | 21.45 |
| Cristalinity | mm | | ≤ 0.94 | |
| Total length | mm | 119.90 | 120.70 | 121.50 |
| Weight | g | 36.60 | 37 | 37.40 |
| Acetaldehyde | µg/g | | ≤ 8 | |
| Color | Several | | | |
| Reference variable | Neck finish PCO 1816 | | | |

| APPLICATION AND INTENDED USE |
|--|
| Food contact product |
| PET injected preforms for use in bottle blowing. This product doesn't have expiry specified time. For carbonated beverage we recommend to use PET preforms at no more than six months later of date off production. For non-carbonated beverage to use PET preforms at no more than ten months later of date off production, matter the weight or volume of the bottle to blow, after this time can be blown, but the window blowing process is reduced, this for optimal storage conditions. |
| Raw Material |
| PET Resin: Polyethylene Therefthalate Couloring type: Liquid |
| The different processes of our production plants meet regulatory requeriments: ISO 9001:2015 y FSSC 22000, to ensure the quality and safety of products supplied. In accordance with FDA CFR 21 § 177.1630 (f) (g). |

Packaging

Units per box: 10,512 units
 Plastic bag dimentions: W 88 x L 97 inches
 Cardboard box (Gaylord) dimentions: W 3.28 x L 3.94 x H 3.71 ft.
 Wood pallet: W 40 x L 48 inches
 Plastic strip dimentions: W 0.472 x Thickness 0.028 Inches

Load capacity
 L 48 ft. Standard Land container: 56 boxes.
 L 53 ft. Standard Land Container: 60 boxes.
 L 26 ft. Not standard 26 ft. Land container: 24 boxes.

L 40 ft. HC Standard Sea container: 40 boxes.
 L 20 ft. Standard Sea container: 10 boxes.